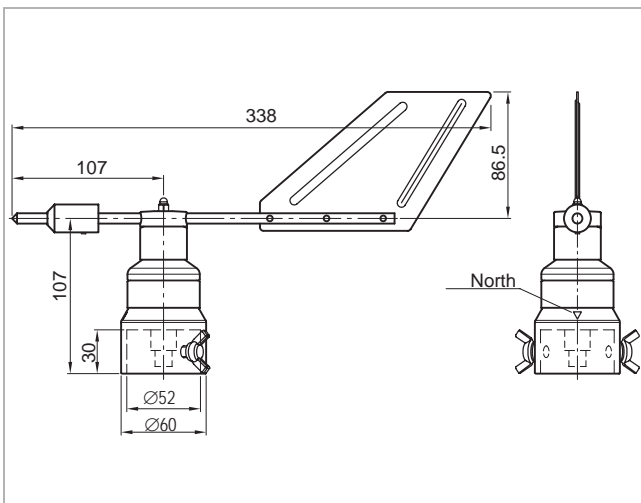


INT30 BA® Wind direction sensor

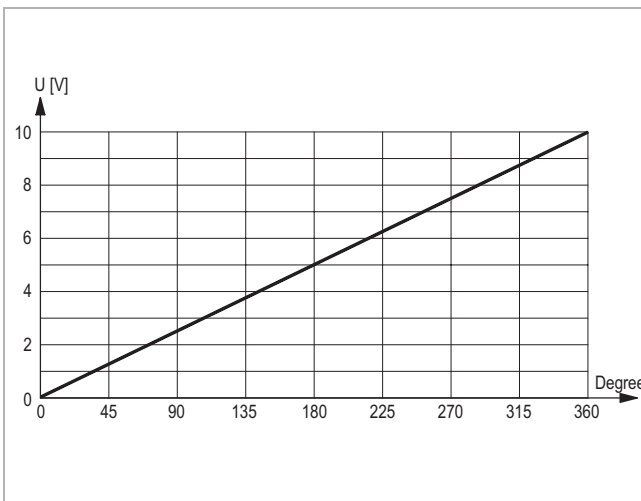
INT30 BA®



INT30 BA mast mounting



Dimensions in mm



Characteristic line

Application

KRIWAN wind direction sensors of the Building Automation Series are employed everywhere where the requirement profile does not necessarily require the implementation of highest-quality sensors and where you can fall back on the reliable properties of the KRIWAN wind sensors at the same time.

Areas of application are for instance the wind recording in the building technology.

Functional description

The KRIWAN-Wind direction sensor INT30 BA records the current wind direction and converts it without contacting it into a linear output signal. The sensor is designed to withstand storms and weather. The built-in self-regulating heating allows it to be used at temperatures down to -40°C. The evaluation is carried out separately with a measuring device, a display instrument or in the connected control and monitoring system.

The following features characterise this KRIWAN wind direction sensor:

- Robust and reliable design
- Low starting torques at high load capacity
- Outstanding precision
- Wear-free recording of measurement data
- Optimised power requirement through electronic heater control
- Simple installation
- Extended temperature range
- Integrated overvoltage protection
- cUL_{US} - approval
- Maintenance free



The unit must be connected by trained electrical personnel. All valid European and national standards for connecting electrical equipment must be observed. To avoid any consequential damage or operational failure, through direct or indirect excitation in the event of lightning strikes, we recommend that a separate lightning protection device be fitted by the customer.

Order data

INT30 BA wind direction <math><1^\circ</math>; 0-10V	
Mast mounting; plug; heating	13 N 550

Spare parts

Wind vane	02 Z 123 S21
Self-locking cap nut M4	HM04009400
Serrated washer J4.3	HX04305600
Hexagon nut M27x1.5	HM27002400
Serrated washer J28	HX28014600
Clamp connector female (M16) 7-pin	FA04114

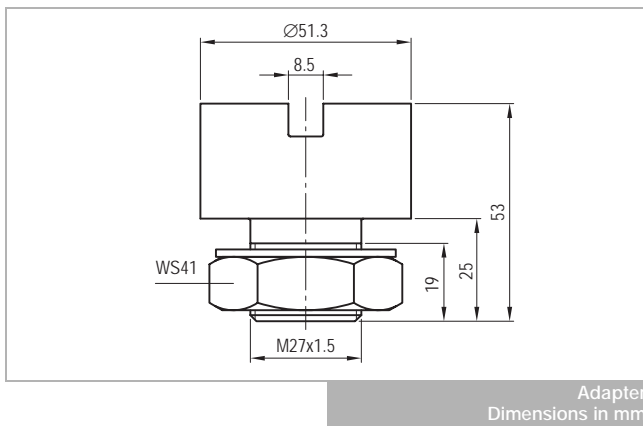
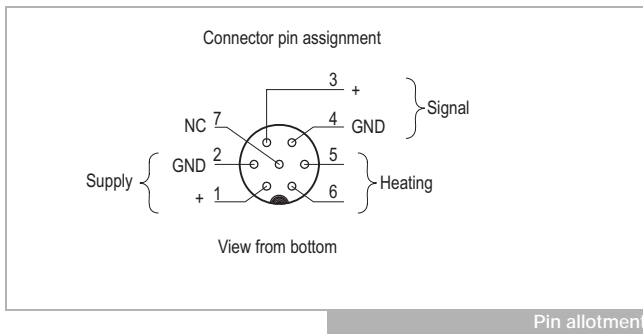
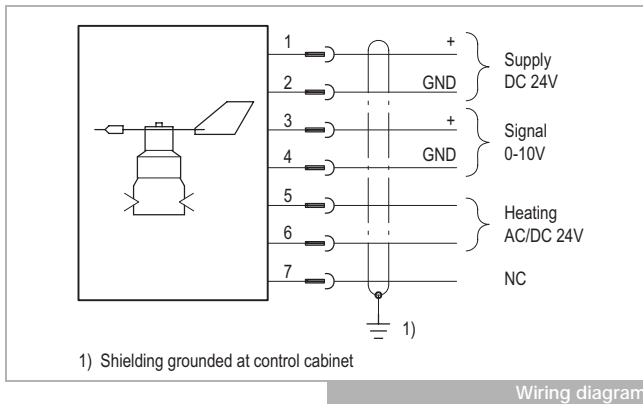
Accessories

Adapter for central mounting (Adapter, serrated washer, hexagon nut M27)	02 Z 165
-----------------------------------------------------------------------------	----------

Technical changes reserved

INT30 BA® Wind direction sensor

INT30 BA®



Technical specifications

Measuring principle	Noncontact, magnetic scanner
Measuring range	0-360°
Accuracy	±2.5°
Resolution	< 1°
Start-up speed	< 0.5m/s ($\vartheta_U = 20^\circ\text{C}$)
Supply	DC 24V ±25% max. 10mA reverse-polarity protection
Signal output	DC 0-10V
Signal availability	Max. 2.5s (from voltage-free state)
Load resistor	≥10kOhm
Connection type	Plug M12
Permitted ambient temperature	-40...+70°C Heating not connected: snow and ice free sensor required.
Permitted rel. humidity	0-100% r.h.
Strength	For wind speed of 60m/s (max. 30min)
Heating	Automatic heating controller AC/DC 24V ±20%, max. 20VA SELV
Protection class based on EN 60529	IP54 for intended use sensor mounting
Mounting	Steel tube mast max. $\varnothing_{\text{exterior}}$ 50mm min. $\varnothing_{\text{interior}}$ 37mm
Dimensions	Refer to dimensions in mm
Housing material	Aluminium
Wind vane	Aluminium, brass nickel plated
Corrosion resistance	Seawater-resistant alloy
Weight	Approx. 450g
Check base	EN 61000-6-2 EN 61000-6-3 EN 61010-1
Approval	UL File No. N.N.